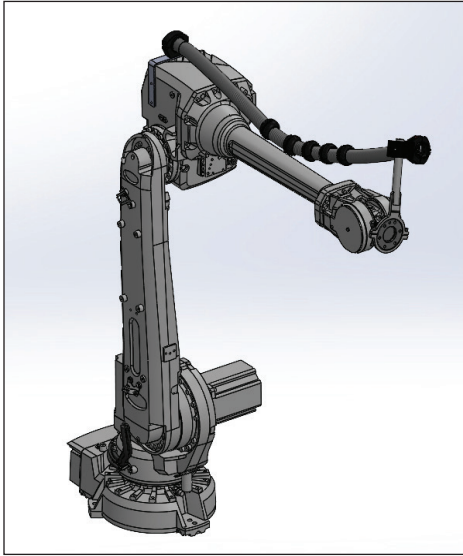
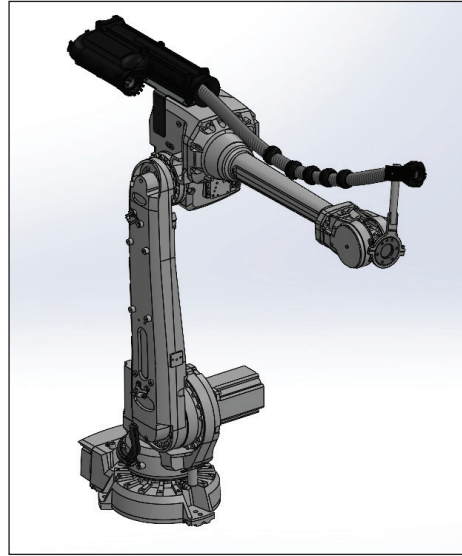


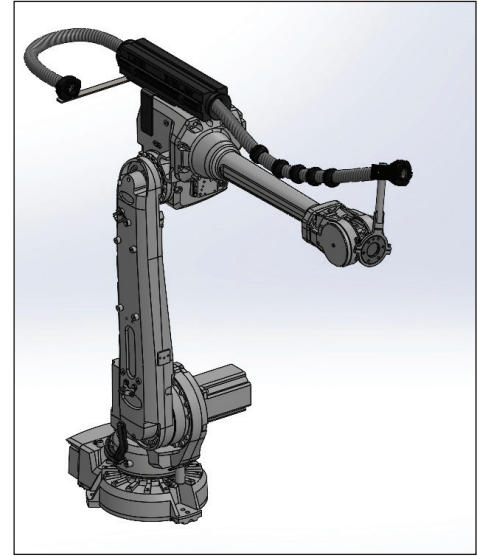
## ABB IRB 4600



**24.48.021.01** Complete robotic dresspack, Axis 3-6, without retraction system, high-flex conduit with ID 36.7mm



**24.48.321.01** Complete robotic dresspack, Axis 3-6, TecBox retraction system, 400mm stroke, high-flex conduit with ID 36.7mm





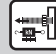





**24.48.421.01** Complete robotic dresspack, Axis 3-6, TecLiner retraction system, 400mm stroke, high-flex conduit with ID 36.7mm

## Product Information

Our robotic dresspacks offer effective cable protection for the most demanding robotic applications. Specifically designed for cable routing on ABB IRB 4600 robots, our dresspacks include mounting brackets, our high-flex EWX-PAE robotic conduit, effective strain relief and optionally, a retraction system for highly dynamic applications.

## Conduit Specifications

-  Mod. Polyamide PA 12
-  According to IEC EN 61386  
Crush Resistance: > 1200 N
-  According to IEC EN 61386  
Cycles: > 5000000 ~
-  According to IEC EN 61386  
Tier: 4
-  According to IEC EN 61386  
System tear-out strength > 100 N
-  -40 - 120°F  
Short Periods 150°F
-  acc. to UL94 HB
-  RoHS

| Part Number  | Axes  | Robot Model  | Conduit         | Retraction System        |
|--------------|-------|--------------|-----------------|--------------------------|
| 24.36.021.01 | A3-A6 | ABB IRB 4600 | EWX-PAE M40/P36 | no retraction system     |
| 24.36.321.01 | A3-A6 | ABB IRB 4600 | EWX-PAE M40/P36 | TecBox, Size 36, 400mm   |
| 24.36.421.01 | A3-A6 | ABB IRB 4600 | EWX-PAE M40/P36 | TecLiner, Size 36, 400mm |
| 24.48.021.01 | A3-A6 | ABB IRB 4600 | EWX-PAE M50/P48 | no retraction system     |
| 24.48.321.01 | A3-A6 | ABB IRB 4600 | EWX-PAE M50/P48 | TecBox, Size 48, 400mm   |
| 24.48.421.01 | A3-A6 | ABB IRB 4600 | EWX-PAE M50/P48 | TecLiner, Size 48, 400mm |
| 24.70.021.01 | A3-A6 | ABB IRB 4600 | EWX-PAE 70      | no retraction system     |
| 24.70.121.01 | A3-A6 | ABB IRB 4600 | EWX-PAE 70      | TecLiner, Size 70, 350mm |
| 24.70.221.01 | A3-A6 | ABB IRB 4600 | EWX-PAE 70      | TecLiner, Size 70, 550mm |
| 24.70.321.01 | A3-A6 | ABB IRB 4600 | EWX-PAE 70      | TecBox, Size 70, 600mm   |

*\*Custom non-populated or fully populated dresspacks for any type of industrial robot along all axes can also be requested.*