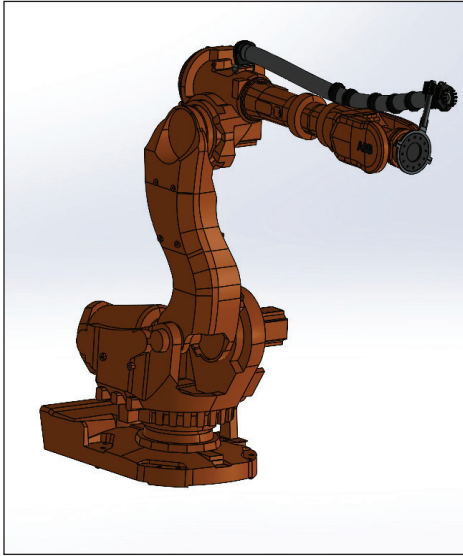
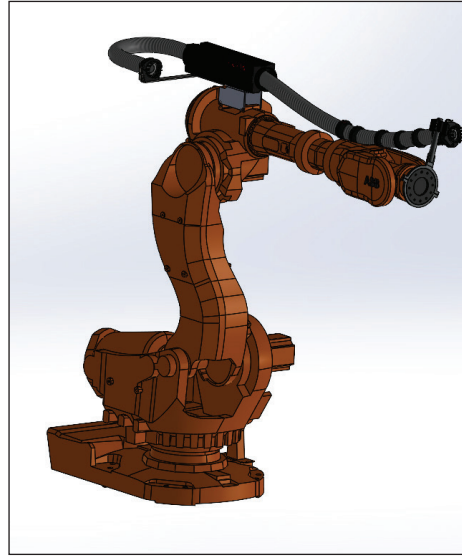


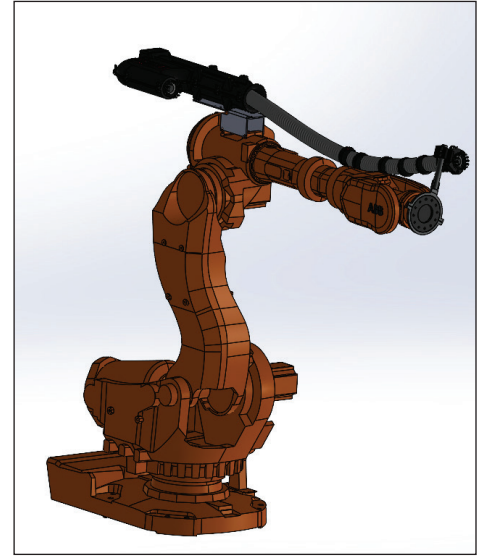
## ABB IRB 6600



**25.70.021.01** Complete robotic dresspack, Axis 3-6, without retraction system, high-flex conduit with ID 64mm



**25.70.121.01** Complete robotic dresspack, Axis 3-6, TecLiner retraction system, 350mm stroke, high-flex conduit with ID 64mm





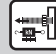





**25.70.321.01** Complete robotic dresspack, Axis 3-6, TecBox retraction system, 600m stroke, high-flex conduit with ID 64mm

## Product Information

Our robotic dresspacks offer effective cable protection for the most demanding robotic applications. Specifically designed for cable routing on ABB IRB 6600 robots, our dresspacks include mounting brackets, our high-flex EWX-PAE robotic conduit, effective strain relief and optionally, a retraction system for highly dynamic applications.

## Conduit Specifications

-  Mod. Polyamide PA 12
-  According to IEC EN 61386  
Crush Resistance: > 1200 N
-  According to IEC EN 61386  
Cycles: > 5000000 ~
-  According to IEC EN 61386  
Tier: 4
-  According to IEC EN 61386  
System tear-out strength > 100 N
-  -40 - 120°F  
Short Periods 150°F
-  acc. to UL94 HB
-  RoHS

| Part Number  | Axes  | Robot Model  | Conduit              | Retraction System        | Strain Relief        |
|--------------|-------|--------------|----------------------|--------------------------|----------------------|
| 25.36.021.01 | A3-A6 | ABB IRB 6600 | M40/P36 (ID: 28.7mm) | no retraction system     | finger strain relief |
| 25.36.321.01 | A3-A6 | ABB IRB 6600 | M40/P36 (ID: 28.7mm) | TecBox, Size 36, 400mm   | finger strain relief |
| 25.36.421.01 | A3-A6 | ABB IRB 6600 | M40/P36 (ID: 28.7mm) | TecLiner, Size 36, 400mm | finger strain relief |
| 25.48.021.01 | A3-A6 | ABB IRB 6600 | M50/P48 (ID: 36.7mm) | no retraction system     | finger strain relief |
| 25.48.321.01 | A3-A6 | ABB IRB 6600 | M50/P48 (ID: 36.7mm) | TecBox, Size 48, 400mm   | finger strain relief |
| 25.48.421.01 | A3-A6 | ABB IRB 6600 | M50/P48 (ID: 36.7mm) | TecLiner, Size 48, 400mm | finger strain relief |
| 25.70.021.01 | A3-A6 | ABB IRB 6600 | 70 Jumbo (ID: 64mm)  | no retraction system     | finger strain relief |
| 25.70.121.01 | A3-A6 | ABB IRB 6600 | 70 Jumbo (ID: 64mm)  | TecLiner, Size 70, 350mm | finger strain relief |
| 25.70.221.01 | A3-A6 | ABB IRB 6600 | 70 Jumbo (ID: 64mm)  | TecLiner, Size 70, 550mm | finger strain relief |
| 25.70.321.01 | A3-A6 | ABB IRB 6600 | 70 Jumbo (ID: 64mm)  | TecBox, Size 70, 600mm   | finger strain relief |

\*Custom non-populated or fully populated dresspacks for any type of industrial robot along all axes can also be requested.