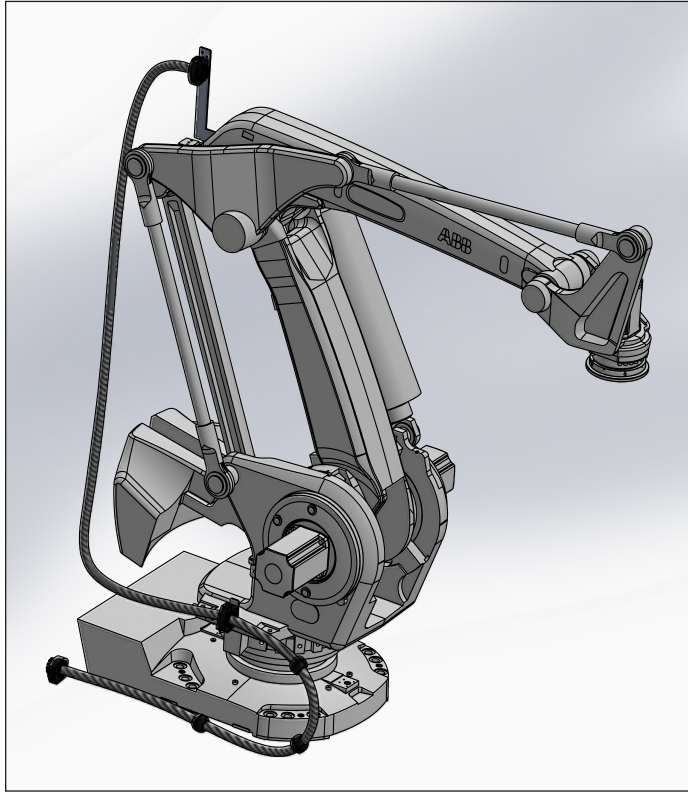
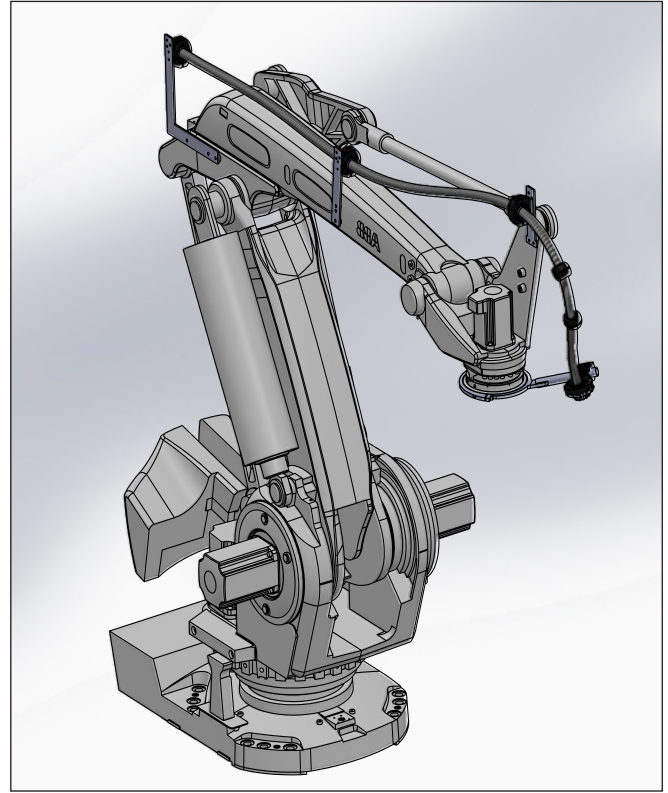


# Robotic Dresspacks for

## ABB IRB 760



**34.36.011.01** Complete robotic dresspack,  
Axis 1-3, without retraction system,  
high-flex conduit with ID 28.7mm











**34.36.021.01** Complete robotic dresspack,  
Axis 3-6, without retraction system,  
high-flex conduit with ID 28.7mm

## Product Information

Our robotic dresspacks offer effective cable protection for the most demanding robotic applications. Specifically designed for cable routing on ABB IRB 760 robots, our dresspacks include mounting brackets, our high-flex EWX-PAE robotic conduit and effective strain relief.

## Conduit Specifications

-  Mod. Polyamide PA 12
-  According to IEC EN 61386  
Crush Resistance: > 1200 N
-  According to IEC EN 61386  
Cycles: > 5000000 ~
-  According to IEC EN 61386  
Tier: 4
-  According to IEC EN 61386  
System tear-out strength > 100 N
-  -40 - 120°F  
Short Periods 150°F
-  acc. to UL94 HB
-  RoHS

Part Number	Axes	Robot Model	Conduit	Retraction System
34.36.011.01	A1-A3	ABB IRB 760	EWX-PAE M40/P36	no retraction system
34.36.021.01	A3-A6	ABB IRB 760	EWX-PAE M40/P36	no retraction system

*\*Custom non-populated or fully populated dresspacks for any type of industrial robot along all axes can also be requested.*