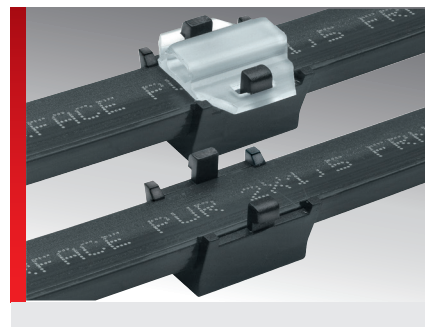
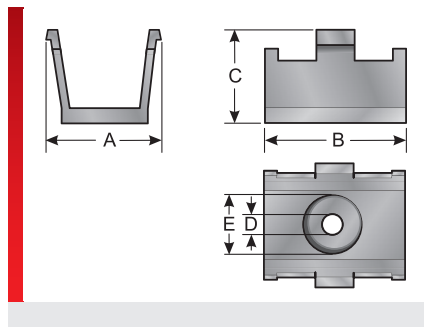
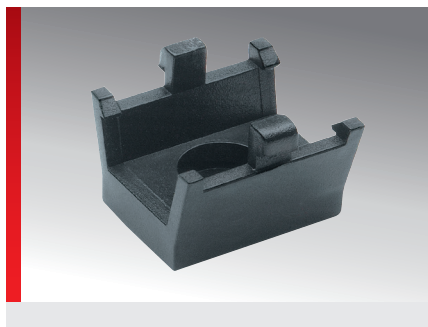


ASI-Snap Standard label holder



Single wire, cable, and conduit labelling

PRODUCT INFORMATION

Mounting clip for laying the ASI bus cable. Simple screwing or riveting mounting clip, for fastening and routing the ASI bus cable. The glide rail is simply slid into the guide channel section.

mounting clip as bus cable labelling.

A KM 4/x series label can be latched into the

SPECIFICATIONS

- Hard polyvinyl chloride (PVC)
- 40 – 80 °C
- V0
- Laying and labelling for ASI bus cable

Type	Order No.	Colour	Recommended Label holder	Length mm (A)	Width mm (B)	C mm	D mm	E mm	Pack qty.
ASI-Snap	86321062	Black	KM 4/...	14.00	15.00	11.00	2.50	6.50	50

Suitable for

MATERIAL PROPERTIES

Hard polyvinyl chloride (PVC)

THERMAL PROPERTIES

Temperature / temperature range
-40 – 80 °C

FIRE BEHAVIOUR

Fire classification
V0

GENERAL TECHNICAL DATA

Laying and labelling for ASI bus cable

ASI-Snap Standard label holder

INSTALLATION METHOD



Snap-fit system



Riveting system



Screw-fastening system

All details given in our sales material prospectuses and catalogues as well as the information available online are based on our current knowledge of the products described.

The electronic data and files made available by Murrplastik, particularly CAD files are based on our current knowledge of the product described.

A legally binding assurance of certain properties or the suitability for a certain purpose can not be determined from this information.

All information with respect to the chemical and physical properties of Murrplastik products as well as application advice given verbally, in writing or by tests, is given to the best of our knowledge.

This does not free the purchaser of carrying out their own inspections and tests in order to determine the suitability of a product for a specific purpose.

Murrplastik accepts no responsibility for the available information being up-to-date, correct or complete. Neither do we accept responsibility for the quality of this information.

Murrplastik accepts no liability for damage caused as a result of using our products.

Murrplastik reserves the right to make technical changes and improvements through constant further development of products and services.

Our General Terms and Conditions apply.

© Murrplastik Systemtechnik GmbH • proID_60113~20170731~890286~acs_mod_asi