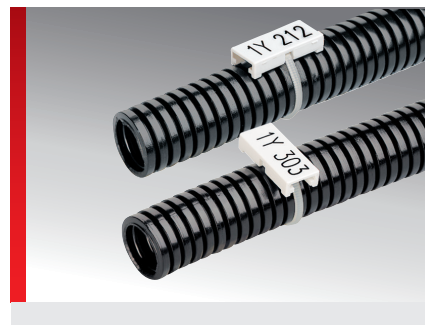
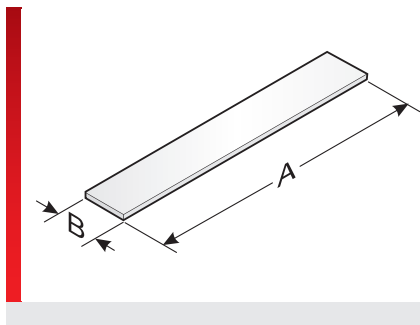


## BS label plate



Single wire, cable, and conduit labelling

### PRODUCT INFORMATION

High-quality, halogen-free label plate for single-line and multi-line inscription. The BS label is mounted directly with a cable tie.

BS 5 and BS 5-2 are suitable for longitudinal mounting.

BS 6 can be mounted lengthways and across.

### SPECIFICATIONS

- Polycarbonate (PC)
- 40 – 130 °C
- V0
- Single-line and multi-line inscription. Mounted lengthways and crossways.

HF

Type	Order No.	Colour	RAL equiv.	Label size mm (B x A)	Title space mm	No. characters/lines	Cable ties max. width mm	No. per frame	Base plate	Software Type	Pack qty.
<b>For lengthways affixing (long mat version)</b>											
BS 5L	86281070	White	9016	12.00 x 27.00	12.00 x 27.00	15 / 3	3.00	16	GP4L	80D	192
BS 5L	86281071	Yellow	1018	12.00 x 27.00	12.00 x 27.00	15 / 3	3.00	16	GP4L	80E	192
<b>For lengthways and crossways affixing (long mat version)</b>											
BS 6L	86281076	White	9016	12.00 x 27.00	12.00 x 27.00	15 / 3	3.00	16	GP4L	81A	192
<b>For lengthways affixing</b>											
BS 5	86281020	White	9016	12.00 x 27.00	12.00 x 27.00	15 / 3	3.00	16	none	80	190
BS 5	86281021	Yellow	1018	12.00 x 27.00	12.00 x 27.00	15 / 3	3.00	16	none	109	190
BS 5-2	86281031	Yellow	1018	12.00 x 55.00	12.00 x 55.00	30 / 3	3.00	8	none	108	96
<b>For lengthways or crossways affixing</b>											
BS 6	86281022	White	9016	12.00 x 27.00	12.00 x 27.00	15 / 3	3.00	16	none	81	190
BS 6	86281023	Green	6018	12.00 x 27.00	12.00 x 27.00	15 / 3	3.00	16	none	81G	192
BS 6	86281025	Orange	2011	12.00 x 27.00	12.00 x 27.00	15 / 3	3.00	16	none	810	192

### MATERIAL PROPERTIES

Polycarbonate (PC)

### THERMAL PROPERTIES

**Temperature / temperature range**  
-40 – 130 °C

## BS label plate

### FIRE BEHAVIOUR



**Fire classification**  
V0

### GENERAL TECHNICAL DATA



Single-line and multi-line inscription. Mounted lengthways and crossways.

### TECHNICAL INFORMATION



**Halogen-free**

### INSTALLATION METHOD



**Cable tie system with plate**

### LABELLING TECHNOLOGY



**Plotter**



**Laser devices**



**Inkjet**

All details given in our sales material prospectuses and catalogues as well as the information available online are based on our current knowledge of the products described.

The electronic data and files made available by Murrplastik, particularly CAD files are based on our current knowledge of the product described.

A legally binding assurance of certain properties or the suitability for a certain purpose can not be determined from this information.

All information with respect to the chemical and physical properties of Murrplastik products as well as application advice given verbally, in writing or by tests, is given to the best of our knowledge.

This does not free the purchaser of carrying out their own inspections and tests in order to determine the suitability of a product for a specific purpose.

Murrplastik accepts no responsibility for the available information being up-to-date, correct or complete. Neither do we accept responsibility for the quality of this information.

Murrplastik accepts no liability for damage caused as a result of using our products.

Murrplastik reserves the right to make technical changes and improvements through constant further development of products and services.

Our General Terms and Conditions apply.

© Murrplastik Systemtechnik GmbH • proID\_60230~20170731~890286~acs\_mod\_els\_bs