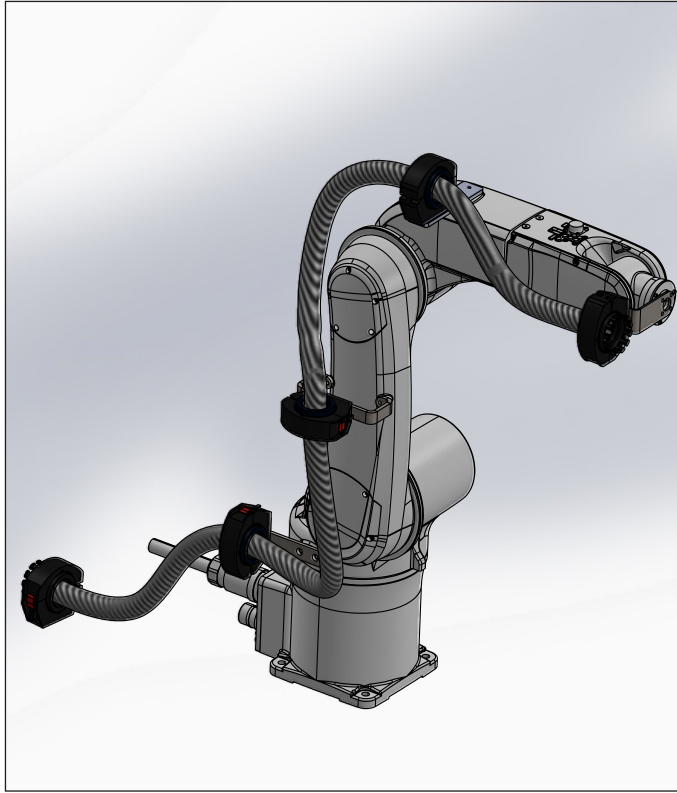
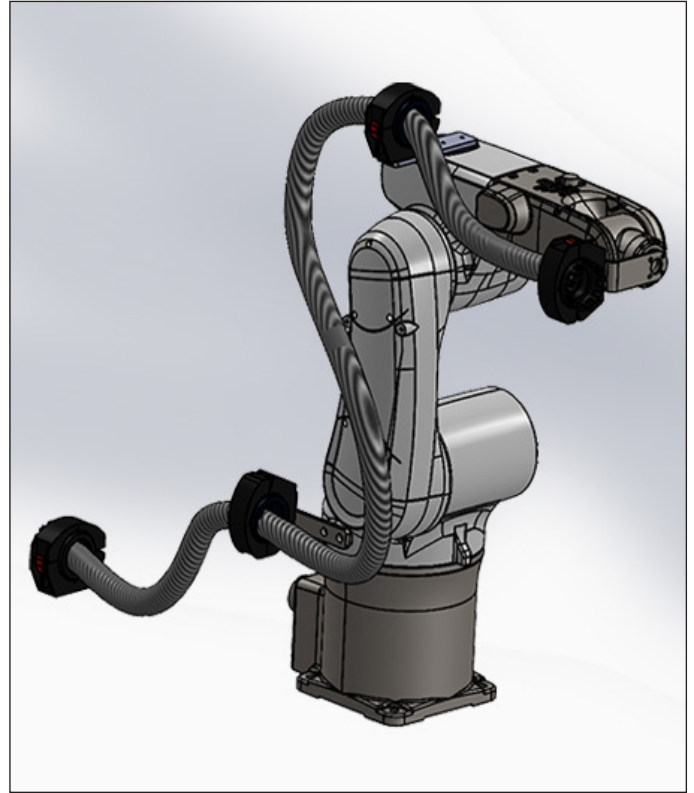


# Robotic Dresspacks for

## DENSO VS-6577-B and VS-6556-B



31.36.001.01 Complete robotic dresspack,  
Axis 1-6, without retraction system,  
high-flex conduit with ID 28.7mm











33.36.001.01 Complete robotic dresspack,  
Axis 1-6, without retraction system,  
high-flex conduit with ID 28.7mm

## Product Information

Our robotic dresspacks offer effective cable protection for the most demanding robotic applications. Specifically designed for cable routing on DENSO VS-65-B and VS-6556-B robots, our dresspacks include mounting brackets, our high-flex EWX-PAE robotic conduit and effective strain relief.

## Conduit Specifications

-  Mod. Polyamide PA 12
-  According to IEC EN 61386  
Crush Resistance: > 1200 N
-  According to IEC EN 61386  
Cycles: > 5000000 ~
-  According to IEC EN 61386  
Tier: 4
-  According to IEC EN 61386  
System tear-out strength > 100 N
-  -40 - 120°F  
Short Periods 150°F
-  acc. to UL94 HB
-  RoHS

Part Number	Axes	Robot Model	Conduit	Retraction System
31.36.001.01	A1-A6	DENSO VS-6577-B	EWX-PAE M40/P36	no retraction system
33.36.001.01	A1-A6	DENSO VS-6556-B	EWX-PAE M40/P36	no retraction system

*\*Custom non-populated or fully populated dresspacks for any type of industrial robot along all axes can also be requested.*