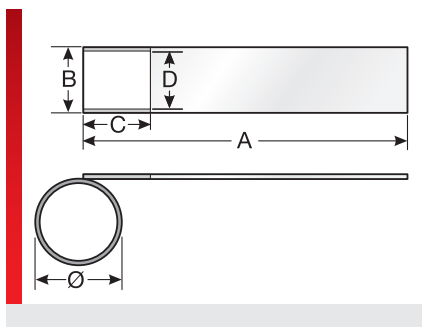
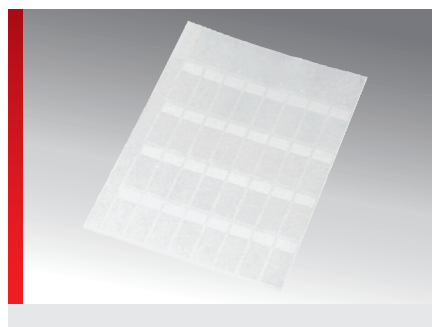


## ESL self-laminating label



Single wire, cable, and conduit labelling

### PRODUCT INFORMATION

Self-laminating, high-quality polyester sheet labels for single-line and multi-line inscriptions. The transparent extension strip sticks over the printable area and keeps the inscription clean and intact. The grid system allows direct removal of each label.

### SPECIFICATIONS

- Polyester film
- Adhesive 4830
- 40 – 150 °C
- V0
- Single-line and multi-line inscription. A4 sheets

Type	Order No.	Colour	RAL equiv.	Label size mm (B x A)	Printable area mm (D x C)	No. No. of	No. per sheet	Software Type	Pack qty.
ESL 20x12R <sup>1)</sup>	86562450	White	9016	12.00 x 20.00	12.00 x 7.00	13	156	126	1560
ESL 35x17R <sup>1)</sup>	86562452	White	9016	17.00 x 35.00	17.00 x 9.00	10	70	124	1400
ESL 56x21R <sup>1)</sup>	86562454	White	9016	21.00 x 56.00	21.00 x 13.00	8	32	113	800
ESL 56x21R <sup>1)</sup>	86562460	Yellow	1018	21.00 x 56.00	21.00 x 13.00	8	32	A41	800
ESL 93x31R <sup>1)</sup>	86562456	White	9016	31.00 x 93.00	31.00 x 25.00	5	15	127	300
ESL 140x47R <sup>1)</sup>	86562458	White	9016	47.00 x 140.00	47.00 x 30.00	4	8	125	200

Please note: Labels processed at min. 10°C

<sup>1)</sup> Calculation of the maximum application areas:  $\varnothing = (A-C) / 3,14$

### MATERIAL PROPERTIES

- Polyester film
- Adhesive 4830

### THERMAL PROPERTIES

- Temperature / temperature range**  
-40 – 150 °C

### FIRE BEHAVIOUR

- Fire classification**  
V0

## ESL self-laminating label

### GENERAL TECHNICAL DATA

 Single-line and multi-line inscription. A4 sheets

### INSTALLATION METHOD

 Adhesion system

### LABELLING TECHNOLOGY

 Plotter

 Laser printer

All details given in our sales material prospectuses and catalogues as well as the information available online are based on our current knowledge of the products described.

The electronic data and files made available by Murrplastik, particularly CAD files are based on our current knowledge of the product described.

A legally binding assurance of certain properties or the suitability for a certain purpose can not be determined from this information.

All information with respect to the chemical and physical properties of Murrplastik products as well as application advice given verbally, in writing or by tests, is given to the best of our knowledge.

This does not free the purchaser of carrying out their own inspections and tests in order to determine the suitability of a product for a specific purpose.

Murrplastik accepts no responsibility for the available information being up-to-date, correct or complete. Neither do we accept responsibility for the quality of this information.

Murrplastik accepts no liability for damage caused as a result of using our products.

Murrplastik reserves the right to make technical changes and improvements through constant further development of products and services.

Our General Terms and Conditions apply.

© Murrplastik Systemtechnik GmbH • proID\_89458~20170802~890286~acs\_mod\_esl