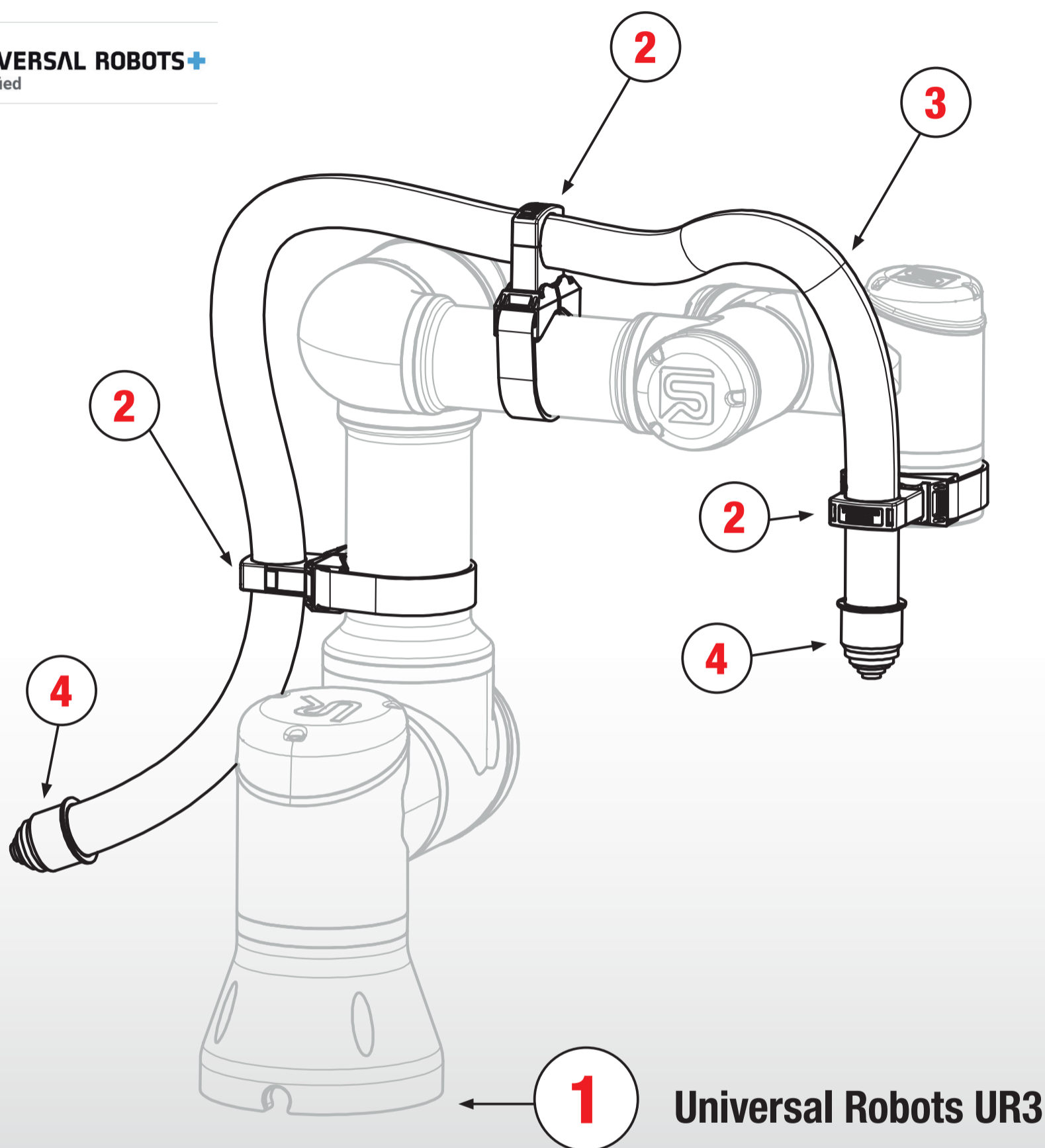


FHS-UHE-SET UR3

BESTELLNUMMER/ ORDER NO.: 83693494



www.murrplastik.de



| POS. | VE / QTY. | TYP / TYPE | BESTELLNUMMER / ORDER NO. |
|----------|-----------|-----------------------------|---------------------------|
| 1 | 1 | Universal Robots UR3 | |
| 2 | 3 | FHS-UHE M25/P21 350 | 83693461 |
| 3 | 1 | EWX-PP-LS M25/P21 | 83203058 |
| 4 | 2 | ET 21 | 83723458 |

FHS – DAS FLEXIBLE HALTERSYSTEM FÜR DIE DIREKTE BEFESTIGUNG AM ROBOTER



FHS – THE FLEXIBLE HOLDER SYSTEM FOR DIRECT FASTENING

www.murrplastik.de

| BEST.-NR./ORDER NO. | TYP / TYPE |
|---------------------|----------------|
| FHS-C-Set | |
| 83693480 | FHS-C-Set UR3 |
| 83693482 | FHS-C-Set UR5 |
| 83693484 | FHS-C-Set UR10 |



| BEST.-NR./ORDER NO. | TYP / TYPE |
|---------------------|-----------------|
| FHS-SH-Set | |
| 83693491 | FHS-SH-Set UR3 |
| 83693492 | FHS-SH-Set UR5 |
| 83693493 | FHS-SH-Set UR10 |



| BEST.-NR./ORDER NO. | TYP / TYPE |
|---------------------|------------------|
| FHS-UHE-Set | |
| 83693494 | FHS-UHE-Set UR3 |
| 83693489 | FHS-UHE-Set UR5 |
| 83693490 | FHS-UHE-Set UR10 |



| BEST.-NR./ORDER NO. | TYP / TYPE |
|---------------------|-----------------|
| FHS-RS-Set | |
| 83693495 | FHS-RS-Set UR5 |
| 83693496 | FHS-RS-Set UR10 |



| BEST.-NR./ORDER NO. | TYP / TYPE |
|---------------------|---------------------|
| 83693411 | FHS-RS EW 21 - 20N |
| 83693412 | FHS-RS EWX 21 - 20N |
| 83693413 | FHS-RS EW 29 - 20N |
| 83693414 | FHS-RS EWX 29 - 20N |



| | |
|----------|-------------|
| 83693402 | KKR-Fix 350 |
| 83693404 | KKR-Fix 450 |
| 83693406 | KKR-Fix 550 |
| 83693408 | KKR-Fix 750 |



| | |
|----------|-------------------|
| 83203058 | EWX-PP-LS M25/P21 |
| 83203060 | EWX-PP-LS M32/P29 |



| | |
|----------|-------|
| 83723458 | ET 21 |
| 83723460 | ET 29 |



| | |
|----------|----|
| 83729010 | KE |
|----------|----|



| | |
|----------|---------------|
| 83693201 | R-SSR 63 UR3 |
| 83693202 | R-SSR 75 UR5 |
| 83693203 | R-SSR 90 UR10 |



| | |
|----------|--------------|
| 83691462 | SH/P M25-M32 |
|----------|--------------|



| | |
|----------|------------|
| 83692258 | KEG/ZL-M25 |
| 83692260 | KEG/ZL-M32 |



| | |
|----------|-----------|
| 83691658 | KMG/F-M25 |
| 83691660 | KMG/F-M32 |



| BEST.-NR./ORDER NO. | TYP / TYPE |
|---------------------|------------|
| 83693442 | FHS-C Set* |
| 83693443 | FHS-C 350 |
| 83693445 | FHS-C 450 |
| 83693447 | FHS-C 550 |
| 83693449 | FHS-C 750 |



| | |
|----------|-------------|
| 83693422 | FHS-SH Set* |
| 83693423 | FHS-SH 350 |
| 83693425 | FHS-SH 450 |
| 83693427 | FHS-SH 550 |
| 83693429 | FHS-SH 750 |



| | |
|----------|----------------------|
| 83693460 | FHS-UHE M25/P21 Set* |
| 83693461 | FHS-UHE M25/P21 350 |
| 83693462 | FHS-UHE M25/P21 450 |
| 83693463 | FHS-UHE M25/P21 550 |
| 83693464 | FHS-UHE M25/P21 750 |



| | |
|----------|----------------------|
| 83693465 | FHS-UHE M32/P29 Set* |
| 83693466 | FHS-UHE M32/P29 350 |
| 83693467 | FHS-UHE M32/P29 450 |
| 83693468 | FHS-UHE M32/P29 550 |
| 83693469 | FHS-UHE M32/P29 750 |



*Set beinhaltet vier Klettbänder in verschiedenen Längen

*Set includes four velcro straps in different lengths

Murrplastik Systemtechnik GmbH

Dieselstraße 10, 71570 Oppenweiler, Germany ☎ +49 7191 4820, www.murrplastik.de



MP8912835015

18



0601HU