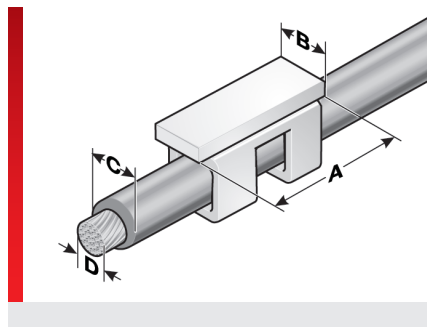
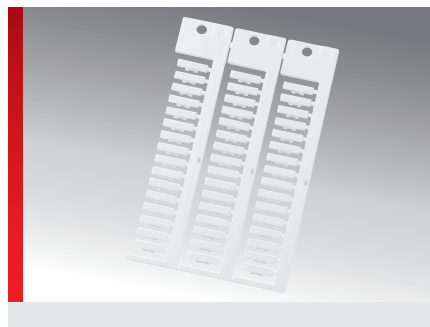


KDE label plate



Single wire, cable, and conduit labelling

PRODUCT INFORMATION

The KDE label plates are pushed directly onto the single wires.

- For wire cross sections from 0.5 – 4 mm².
- Available in two lengths, in the colours white and yellow.

SPECIFICATIONS

- Polycarbonate (PC)
- 40 – 130 °C
- V0
- Single-line inscription. Suitable for use with narrow wire bending radii.

HF

Type	Order No.	Colour	RAL equiv.	Application range from - to Ø mm (C)	Wire Cross-section from - to mm ² (D)	Label size mm (B x A)	No. per frame	Base plate	Software Type	Pack qty.
Label length 11 mm										
KDE 11x4-3,2	86381240	White	9016	1.70 – 3.20	0.50 – 1.50	4.00 x 11.00	48	GP KDE	A78	576
KDE 11x4-3,2	86381241	Yellow	1018	1.70 – 3.20	0.50 – 1.50	4.00 x 11.00	48	GP KDE	A79	576
KDE 11x4-4,2	86381242	White	9016	2.00 – 4.20	1.00 – 4.00	4.00 x 11.00	48	GP KDE	A80	576
KDE 11x4-4,2	86381243	Yellow	1018	2.00 – 4.20	1.00 – 4.00	4.00 x 11.00	48	GP KDE	A81	576
Label length 16 mm										
KDE 16x4-3,2	86381244	White	9016	1.70 – 3.20	0.50 – 1.50	4.00 x 16.00	48	GP KDE	A82	576
KDE 16x4-3,2	86381245	Yellow	1018	1.70 – 3.20	0.50 – 1.50	4.00 x 16.00	48	GP KDE	A83	576
KDE 16x4-4,2	86381246	White	9016	2.00 – 4.20	1.00 – 4.00	4.00 x 16.00	48	GP KDE	A84	576
KDE 16x4-4,2	86381247	Yellow	1018	2.00 – 4.20	1.00 – 4.00	4.00 x 16.00	48	GP KDE	A85	576

MATERIAL PROPERTIES

Polycarbonate (PC)

THERMAL PROPERTIES

Temperature / temperature range
-40 – 130 °C

FIRE BEHAVIOUR

Fire classification
V0

KDE label plate

GENERAL TECHNICAL DATA



Single-line inscription. Suitable for use with narrow wire bending radii.

TECHNICAL INFORMATION



Halogen-free

INSTALLATION METHOD



Clamping system

LABELLING TECHNOLOGY



Plotter



Laser devices



Inkjet

All details given in our sales material prospectuses and catalogues as well as the information available online are based on our current knowledge of the products described.

The electronic data and files made available by Murrplastik, particularly CAD files are based on our current knowledge of the product described.

A legally binding assurance of certain properties or the suitability for a certain purpose can not be determined from this information.

All information with respect to the chemical and physical properties of Murrplastik products as well as application advice given verbally, in writing or by tests, is given to the best of our knowledge.

This does not free the purchaser of carrying out their own inspections and tests in order to determine the suitability of a product for a specific purpose.

Murrplastik accepts no responsibility for the available information being up-to-date, correct or complete. Neither do we accept responsibility for the quality of this information.

Murrplastik accepts no liability for damage caused as a result of using our products.

Murrplastik reserves the right to make technical changes and improvements through constant further development of products and services.

Our General Terms and Conditions apply.

© Murrplastik Systemtechnik GmbH • proID_60210~20170731~890286~acs_mod_kde