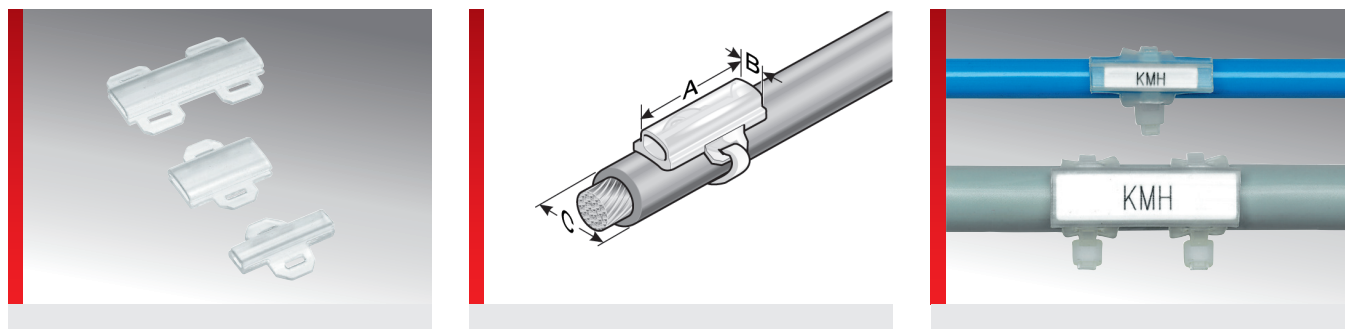


KMH label holder (halogen-free)



PRODUCT INFORMATION

Halogen-free label holders for wire, cable and conduit labels. KMH label holders for BK idents and type KS as well as type KSO labels.

- The label holders are fixed in place with cable ties.

SPECIFICATIONS

- EVA
- 40 – 80 °C
- HB
- Halogen-free

Type	Order No.	Colour	Length mm (A)	Width mm (B)	Recommended Label plate	No. idents BK23 / BK30	Cable ties max. width mm	Recommended min. diameter mm (C)	Pack qty.
Labelling lengthwise to the cable/the hose, single line of print									
KMH 4/23	86221010	Transparent	23.00	4.00	KS 4/x	10 / 7	5.00	5.00	1000
Labelling lengthwise to the cable/the hose, one or more lines of print									
KMH 9/20	86221012	Transparent	20.00	9.00	KSO 20x9		5.00	10.00	1000
KMH 9/35	86221016	Transparent	35.00	9.00	KSO 35x9		5.00	10.00	500
Pre-configured label holder, equipped with KB 55 cable ties									
KKMH 4/23	86221050	Transparent	23.00	4.00	KS 4/x	10 / 7	5.00	5.00	250

MATERIAL PROPERTIES



EVA

THERMAL PROPERTIES



Temperature / temperature range

-40 – 80 °C

FIRE BEHAVIOUR



Fire classification

HB

KMH label holder (halogen-free)

GENERAL TECHNICAL DATA

 Halogen-free

TECHNICAL INFORMATION

 Halogen-free

INSTALLATION METHOD

 Cable tie system with sleeves

All details given in our sales material prospectuses and catalogues as well as the information available online are based on our current knowledge of the products described.

The electronic data and files made available by Murrplastik, particularly CAD files are based on our current knowledge of the product described.

A legally binding assurance of certain properties or the suitability for a certain purpose can not be determined from this information.

All information with respect to the chemical and physical properties of Murrplastik products as well as application advice given verbally, in writing or by tests, is given to the best of our knowledge.

This does not free the purchaser of carrying out their own inspections and tests in order to determine the suitability of a product for a specific purpose.

Murrplastik accepts no responsibility for the available information being up-to-date, correct or complete. Neither do we accept responsibility for the quality of this information.

Murrplastik accepts no liability for damage caused as a result of using our products.

Murrplastik reserves the right to make technical changes and improvements through constant further development of products and services.

Our General Terms and Conditions apply.

© Murrplastik Systemtechnik GmbH • proID_60105~20170731~890286~acs_mod_kmh