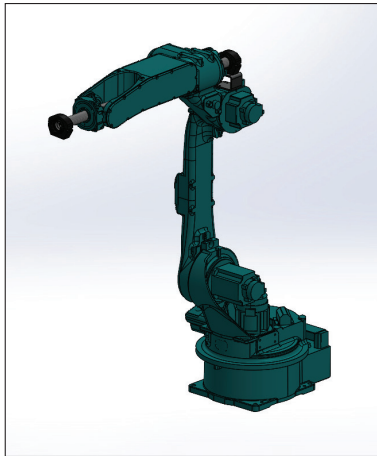


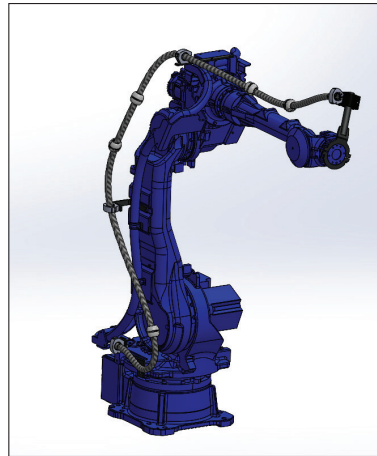
## Yaskawa Motoman GP25 and GP50



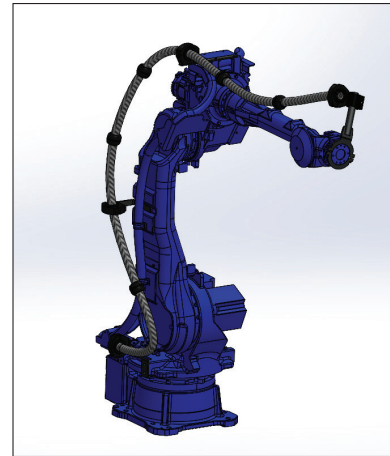
**18.36.001.01** Complete robotic dresspack, Axis 1-6, without retraction system, high-flex conduit with ID 28.5mm



**18.36.021.01** Complete robotic dresspack, Axis 3-6, through arm solution, high-flex conduit with ID 28.5mm



**19.29.001.01** Complete robotic dresspack, Axis 1-6, without retraction system, high-flex conduit with ID 23.1mm





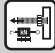





**19.36.001.01** Complete robotic dresspack, Axis 1-6, without retraction system, high-flex conduit with ID 28.5mm

## Product Information

Our robotic dresspacks offer effective cable protection for the most demanding robotic applications. Specifically designed for cable routing on Yaskawa Motoman GP25 and GP50 robots, our dresspacks include mounting brackets, our high-flex EWX-PAE robotic conduit and effective strain relief. Our systems are available from A1-A6 as external dresspacks or from A3-A6 going through the hollow robot arm.

## Conduit Specifications

-  Mod. Polyamide PA 12
-  According to IEC EN 61386 Crush Resistance: > 1200 N
-  According to IEC EN 61386 Cycles: > 5000000 ~
-  According to IEC EN 61386 Tier: 4
-  According to IEC EN 61386 System tear-out strength > 100 N
-  -40 - 120°F Short Periods 150°F
-  acc. to UL94 HB
-  RoHS

| Part Number  | Axes  | Robot Model  | Conduit         | Retraction System    |
|--------------|-------|--------------|-----------------|----------------------|
| 18.29.001.01 | A1-A6 | Motoman GP25 | EWX-PAE M32/P29 | no retraction system |
| 18.36.001.01 | A1-A6 | Motoman GP25 | EWX-PAE M40/P36 | no retraction system |
| 18.36.021.01 | A3-A6 | Motoman GP25 | EWX-PAE M40/P36 | through-arm design   |
| 19.29.001.01 | A1-A6 | Motoman GP50 | EWX-PAE M32/P29 | no retraction system |
| 19.36.001.01 | A1-A6 | Motoman GP50 | EWX-PAE M40/P36 | no retraction system |

*\*Custom non-populated or fully populated dresspacks for any type of industrial robot along all axes can also be requested.*