

EWT-Split-Flex cable protection conduit - Two part, slit and re-sealable version

The two part EWT Split Flex cable protection conduit and the accompanying AT click connector system can be used with all parts from the MP program.

Both systems allow pre-assembled cables and turnkey cable sets to be mounted into machines, equipment, control cabinets and walls with only a few steps.



It takes only a few tool-free steps to install the new AT split connector from Murrplastik Systemtechnik—one click and it's done. No complicated installation work: the protective conduit is fed into the cabinet, with the first half of the fastener set on the inside and then pushed through to the outside. The matching piece is clicked on from the outside. Done! The technical concept is simple but efficient. The AT split connector consists of two halves and can be guided along the hose and then clicked into one another.

Murrplastik produces conduits and connector systems to meet the standards of the market. Murrplastik thereby achieves universal compatibility for the systems of all important manufacturers, a must in this market.

This both holds the conduit together and, at the same time, fixes it into the control cabinet. The Murrplastik click connector system is available in eight corrugated conduit sizes with nominal diameters of P07, P09, P11, P16, P21, P29, P36 and P48. The pass-through drillings are punched and drilled in metric sizes.

Advantages

- Easy, tool-free assembly
- For use with all MP parts
- Split connector
- Standard hole diameters

Addition fittings – Suitable for the EWT-Split-Flex cable protection conduit

KFW bulkhead fitting

As the bulkhead fittings are split and have a large cut-out size, pre-assembled cables can be easily and quickly inserted into a housing. Their design means that these bulkhead fittings offer a protection rating of IP54 or IP65.



m-fix

The m-fix family consists of conduit fittings manufactured from high-grade polyamide. Their design means that the fittings offer a high protection rating of IP54. The fittings are completely pre-assembled and no additional parts must also be assembled. This ensures the greatest possible process reliability in assembly. The protection rating can be increased to IP65 where required by the use of an additional sealing ring.



m-tec

Their design means that the fittings offer high protection rating of IP65. The fittings are completely pre-assembled and no additional parts such as cap nuts and clamping rings must also be fitted. As the inner bends have no sharp edges, the introduction of cables through fittings does not present any problems.



m-top

The m-top family consists of conduit fittings manufactured from high-grade polyamide. Their design means that the fittings offer a high protection rating of IP68 or IP69K. The variety of types ensures many different possible uses. The fittings are completely pre-assembled and no additional parts such as cap nuts, gaskets, conduit seals etc. need to be fitted. This ensures the greatest possible process reliability in assembly.



Conduit distributor and connector

The large choice of distributors means a huge number of possible combinations and ways of splitting cable protection conduits. Different protection ratings from IP40 to IP67 ensure an extensive range of applications.



Conduit holder

The various holder systems are manufactured from high-grade polyamide and polycarbonate. The new HS family offers the facility to arrange holders in rows as well as stacking them. A snap-on mechanism enables the actual conduit holders to be combined with a variety of fastening plates (feet). An optional bracket offers additional safety under high tear-out forces.



Order data

EWT-Split-Flex PA corrugated conduit

Description	Article number	Color	suitable split connector	Interior diameter inch (mm)	Exterior diameter inch (mm)	Pack ft. (m)
EWT-PA M10/P7	83164250	black	not available	0.24 (6.2)	0.44 (11.2)	164 (50)
EWT-PA M12/P9	83164252	black	AT M20/P09	0.31 (7.9)	0.51 (12.9)	164 (50)
EWT-PA M16/P11	83164254	black	AT M25/P11	0.41 (10.3)	0.62 (15.8)	164 (50)
EWT-PA M20/P16	83164256	black	AT M32/P16	0.55 (13.9)	0.83 (21.0)	164 (50)
EWT-PA M25/P21	83164258	black	AT M40/P21	0.81 (20.5)	1.11 (28.3)	164 (50)
EWT-PA M32/P29	83164260	black	AT M50/P29	1.05 (26.6)	1.36 (34.5)	82 (25)
EWT-PA M40/P36	83164262	black	AT M50/P36	1.26 (32.0)	1.65 (41.8)	82 (25)
EWT-PA M50/P48	83164264	black	AT M63/P48	1.69 (43.0)	2.13 (54.2)	82 (25)

EWT-Split-Flex PP corrugated conduit

Description	Article number	Color	suitable split connector	Interior diameter inch (mm)	Exterior diameter inch (mm)	Pack ft. (m)
EWT-PP M10/P7	83204250	black	not available	0.24 (6.2)	0.44 (11.2)	164 (50)
EWT-PP M12/P9	83204252	black	AT M20/P09	0.31 (7.9)	0.51 (12.9)	164 (50)
EWT-PP M16/P11	83204254	black	AT M25/P11	0.41 (10.3)	0.62 (15.8)	164 (50)
EWT-PP M20/P16	83204256	black	AT M32/P16	0.55 (13.9)	0.83 (21.0)	164 (50)
EWT-PP M25/P21	83204258	black	AT M40/P21	0.81 (20.5)	1.11 (28.3)	164 (50)
EWT-PP M32/P29	83204260	black	AT M50/P29	1.05 (26.6)	1.36 (34.5)	82 (25)
EWT-PP M40/P36	83204262	black	AT M50/P36	1.26 (32.0)	1.65 (41.8)	82 (25)
EWT-PP M50/P48	83204264	black	AT M63/P48	1.73 (44.0)	2.13 (54.2)	82 (25)

AT split fastener

Description	Article number	Color	suitable for Murrflex	Cut-out inch (mm)	Exterior diameter inch (mm)	Pack ft. (m)
AT M20/P09	83651050	black	M12/P9	0.81 (20.5)	1.38 (35.0)	164 (50)
AT M25/P11	83651052	black	M16/P11	1.00 (25.5)	1.59 (40.5)	164 (50)
AT M32/P16	83651054	black	M20/P16	1.28 (32.5)	1.89 (48.0)	164 (50)
AT M40/P21	83651056	black	M25/P21	1.59 (40.5)	2.28 (58.0)	164 (50)
AT M50/P29	83651058	black	M32/P29	1.99 (50.5)	2.68 (68.0)	82 (25)
AT M50/P36	83651060	black	M40/P36	1.99 (50.5)	2.68 (68.0)	33 (10)
AT M63/P48	83651062	black	M50/P48	2.50 (63.5)	3.23 (82.0)	33 (10)

**AT split fitting –
Specially adapted for the EWT-Split-Flex cable protection conduit!**

The core advantage of the Murrplastik Split-Flex protective conduit system is the two part slit corrugated tube system. It allows for the protective conduit to be opened and resealed at any time. This is a major advantage when repairing existing systems or when installing additional lines to the system. Retrofitting of preassembled cables becomes an easy and quick task. It also allows for installation of large plugs.

EWT conduit

The conduit is available in two different materials: Polypropylene (PP) or Polyamide (PA). Both materials are phosphor and cadmium free. PA is also halogen-free and demonstrates a relatively high crush resistance for split corrugated conduit systems.

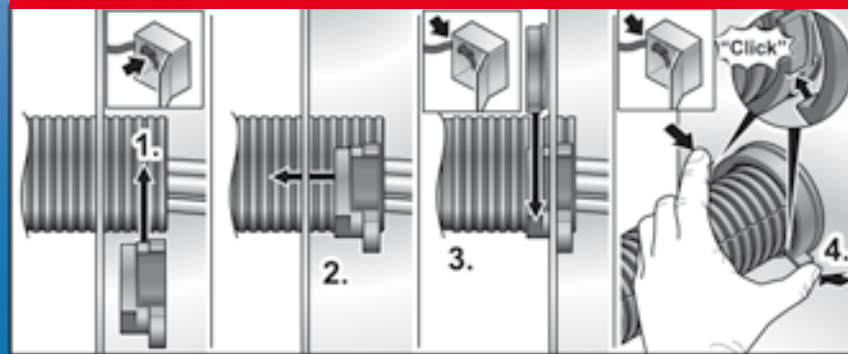
AT fitting

The split AT conduit connector was specially adapted for Murrplastik corrugated conduits. This applies particularly for the split EWT conduits, thereby forming a practical split system. The AT fitting is available from M12-M63 (see order data)

Easy assembly

The EWT corrugated conduit can be installed into the pre-punched cutting completely without tools. When mounted a the entire system can still rotate,

Assembly



EWT conduit and AT fastener

Separating, but systematic

Head Office

Germany

Murrplastik Systemtechnik GmbH
Postfach 1143
D 7 Oppenweiler
☎ +49 7191 4820
☎ +49 7191 482 280
www.murrplastik.de
info@murrplastik.de

China

Murrplastik Asia Co., Ltd.
1802 Rm. No. 218
Hengfeng Rd.
200070 Shanghai
☎ +86 21 512 869 25
☎ +86 21 512 869 29
www.murrplastik.com.cn
info@murrplastik.com.cn

France

Murrtechnic S.à.r.l
Zone industrielle Sud,
6 rue Manurhin
B.P. 62, 68120 Richwiller
☎ +33 389 570 010
☎ +33 389 530 966
www.murrtechnic.eu
murrtechnic@murrtechnic.fr

Italy

Murrplastik Italia S.r.L.
Via Circo, 18
20123 Milano
☎ +39 02 856 805 70
☎ +39 02 805 034 69
info@murrplastik.it
www.murrplastik.it

Austria

Murrplastik Systemtechnik GmbH
☎ +43 732 660 870
☎ +43 732 660 872
www.murrplastik.at
info@murrplastik.at

Switzerland

Murrplastik AG
Ratihard 40
8253 Willisdorf
☎ +41 52 646 06 46
☎ +41 52 646 06 40
www.murrplastik.ch
info@murrplastik.ch

Spain

Murrplastik S.L.
Paseo Ubarburu, 76
Pabellón 34, polígono 27
20014 San Sebastián
☎ +34943444837
☎ +34943472895
www.murrplastik.es
info@murrplastik.es

USA

Murrplastik Systems Inc.
2367 North Penn Road,
Suite 200
Hatfield, PA 19440
☎ +1 215 822 7625
☎ +1 215 822 7626
www.murrplastik.com
cablegmt@murrplastik.com

